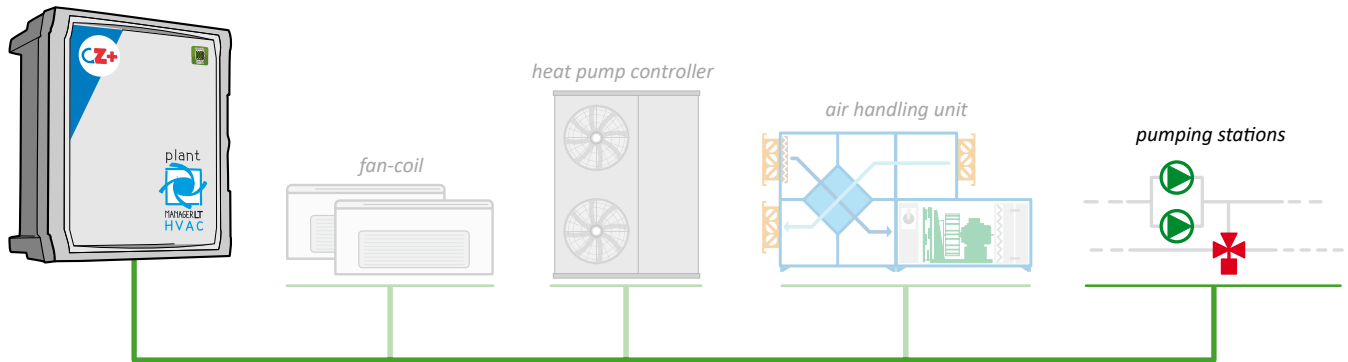


Pumping substation

Pump station management consisting of pump unit and modulating 3-way valve



Control unit for **pump pair** management (alternating working with time switchover or in case of single pump block) and **mixing valve** with fixed point or climatic curve adjustment thanks to the availability of an external air temperature probe.

It also allows the **acquisition of delivery and return temperatures** to the users.

Available in **stand-alone** version or on **electrical box** equipped with electrical protections and decoupling relays.



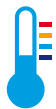
ON-OFF PUMPS/VALVE

Operable from digital input or display/supervision



HEATING/COOLING MODE

Mode change by digital input or display/supervision



TEMPERATURE ACQUISITION

Fluid temperature acquisition FROM and TO UTILITIES and outside air temperature



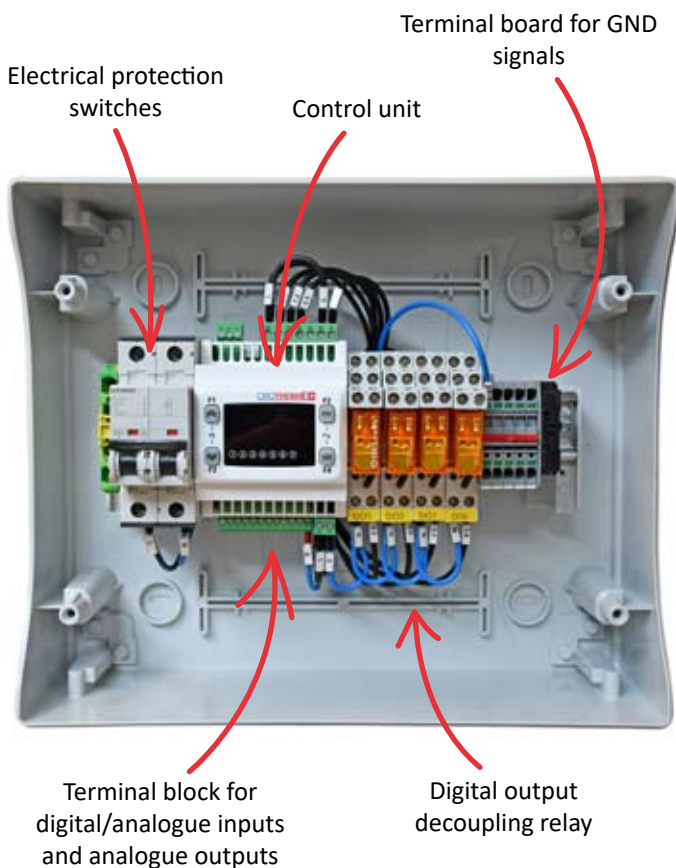
PUMP GROUP

Group management of two pumps operating in exchange depending on operating hours or alarm intervention of the working one



MIXING VALVE

Mixing valve management with modulating servomotor 0..10 V in fluid temperature function TOWARDS UTILITIES and possibility of calculating set-point according to summer / winter climatic curve and outdoor air temperature



ANALOGUE INPUTS

AI1	Delivery temperature
AI2	Return temperature
AI3	On/Off
AI4	Heating/Cooling
AI5	Outdoor air temperature

ANALOGUE OUTPUTS

AO3	3-way valve (0..10 V)
AO4	-
AO5	-

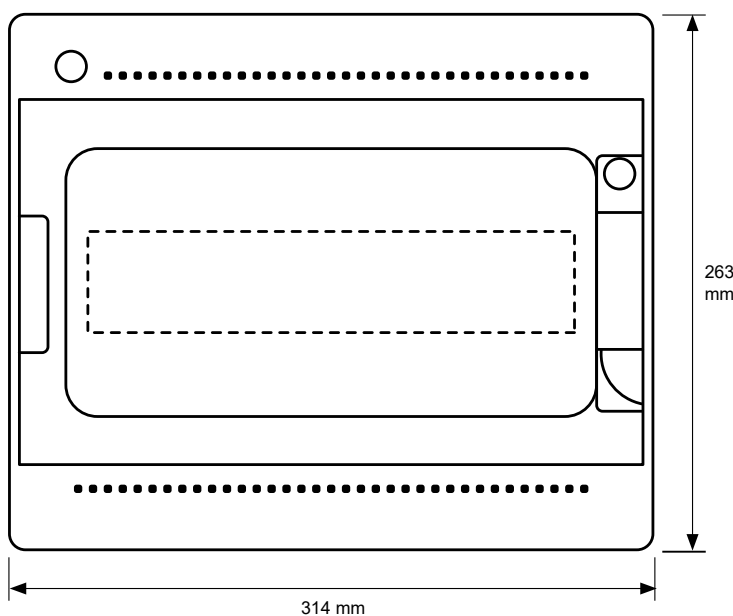
DIGITAL INPUTS

DI1	Pump alarm 1
DI2	Pump alarm 2

DIGITAL OUTPUTS

DO1	Pump 1
DO2	Pump 2
DO3	-
DO6	Alarm in progress

DIMENSIONS



Notes:

- 230 Vac electrical unit/box power supply
- Analogue inputs of NTC type
- Dry contact type digital inputs
- Analog outputs 0..10 V
- RS485 serial connection (MODBUS RTU protocol)